

## Dime



### Description

Depending on their application, UELA components can be used as air intakes or roof ejectors

Furnished with a semicircular protection cover preventing the air from being blown in and slanting blades that guide the air flow downwards. In addition, the air intake is provided with insect mesh. It has rubber gaskets and is fitted with mounting clamps to make its installation easier. It is featured by an attractive appearance and long durability and can be used both indoors and outdoors.

**Material:** steel sheet

**Furnishing:** polishing

#### Example identification

Product code: **UVLA**    **aaa**

Ød  
[mm]

100

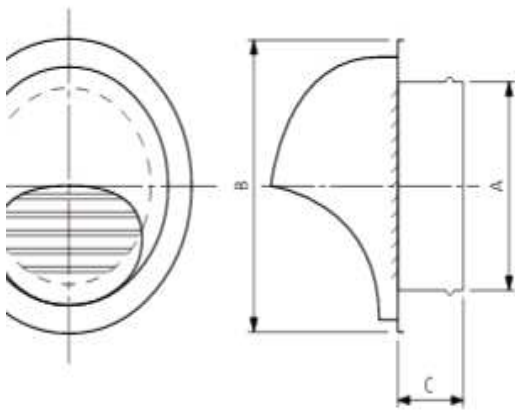
125

150

160

200

## nsions



A [mm]	B [mm]	C [mm]
97	133	52
120	165	52
145	192	62
155	192	62
195	253	62